







■ MONOTRIPHASE  
 ○ TRIPHASE

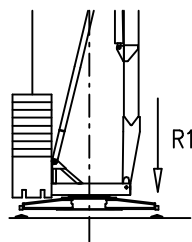
☒ 230/400 V  
 ☒ 400 V

GRU A MONTAGGIO RAPIDO  
 GRUE A MONTAGE RAPIDE  
 GRUA DE RAPIDO MONTAJE  
 GRUA DE MONTAGEM RAPIDA  
 QUICK SELFERECTING CRANE  
 HYDRAULISCHER SCHNELLMONTAGEKRAN

Curve di carico – Courbes de charges – Load diagrams – LastKurven – Curvas de cargas

 TRIPHASE	-CE 400 V	3	21	23	25	m	 MONOTRIPHASE	-CE 230/400V	3	21	23	25	m
		600	600	600	600				kg	500	500	500	
 TRIPHASE	-CE 400 V	3	10.8	12	14	16	18	20	22	24	26	m	
		2000	2000	1765	1465	1250	1080	950	850	760	700		kg
		3	11.8	12	14	16	18	20	22	24			m
		2000	2000	1930	1600	1365	1185	1045	930	850	kg		
		3	12.4	14	16	18	20	22			m		
		2000	2000	1720	1480	1230	1100	1000			kg		
 MONOTRIPHASE	-CE 230/400V	3	13	14	16	18	20	22	24	26	m		
		1500	1500	1465	1250	1080	950	850	760	700		kg	
		3	15	16	18	20	22	24			m		
		1500	1500	1365	1185	1045	930	850	kg				
		3	15.5	16	18	20	22			m			
		1500	1500	1480	1230	1100	1000	kg					
 TRIPHASE	-CE 400 V	3	12	m		 MONOTRIPHASE	-CE 230/400V	3	12	m			
		2000	2000	kg				1500	1500	kg			

Reazioni – Reactions – Réactions – Eckdrücke – Reacciones – Reações

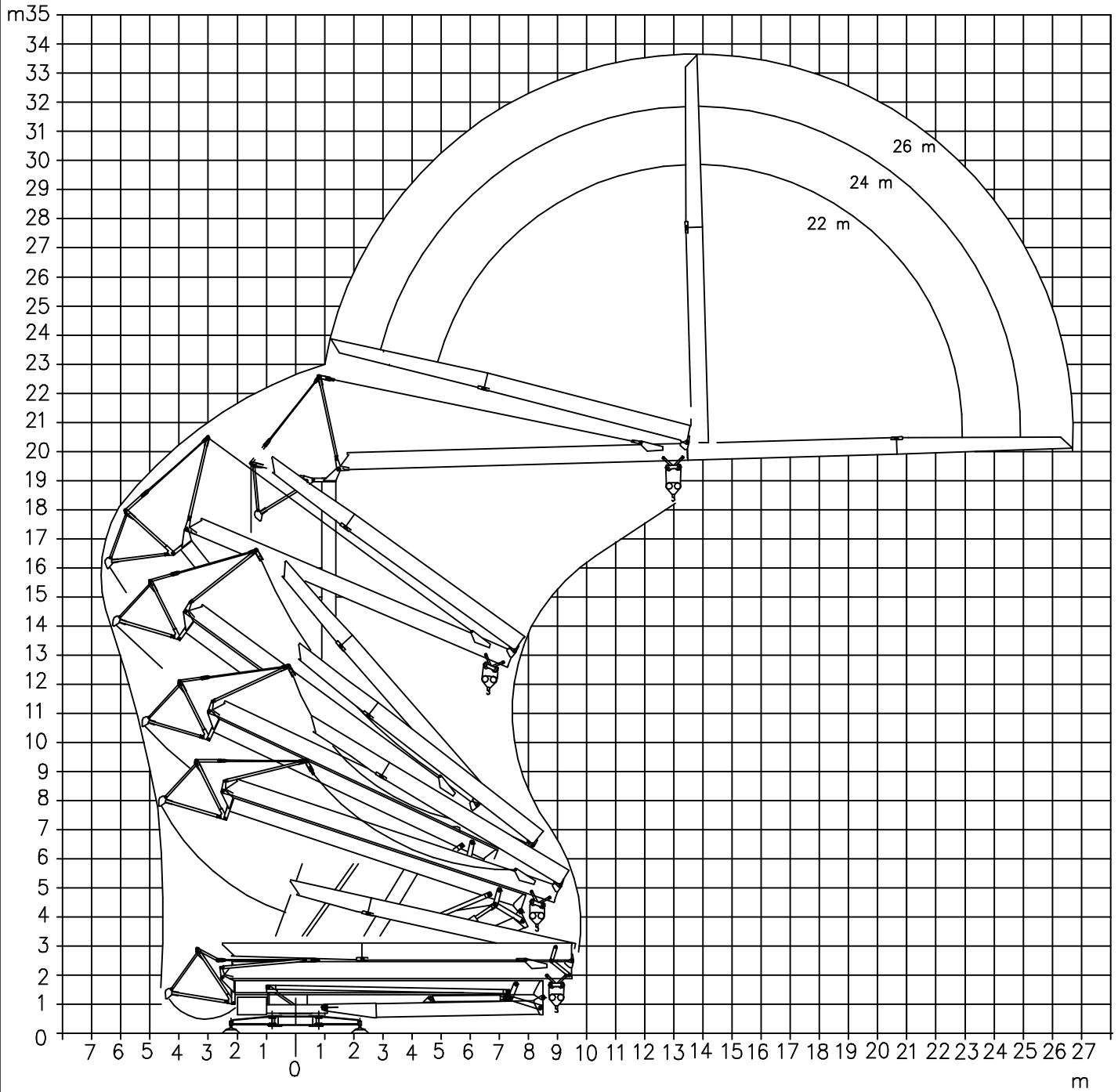


R1 ● 11.2 t ■ 7.7 t

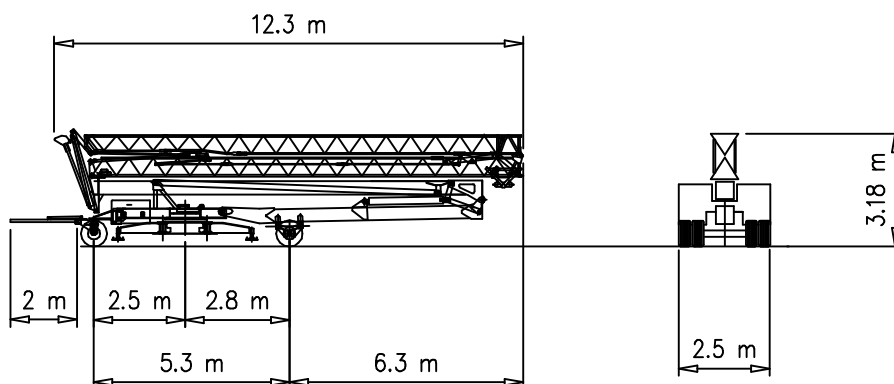
▲ 8.2 t ○ 13.4 t

- |                               |                                       |                                      |
|-------------------------------|---------------------------------------|--------------------------------------|
| ● Reazioni in servizio        | ● Reactions in service                | ● Réactions en service               |
| ■ Reazioni fuori servizio     | ■ Reactions out of service            | ■ Réactions hors service             |
| ▲ Peso della gru senza assali | ▲ Dead weight without transport axles | ▲ Poids de construction sans essieux |
| ○ Peso zavorra rotante        | ○ Ballast weight                      | ○ Poids du lest                      |
- 
- |  |  |   |
|--|--|---|
| ● Reaktionskräfte in betrieb               | ● Reacciones en servicio                 | ● Em serviço                              |
| ■ Reaktionskräfte außer betrieb            | ■ Reacciones fuera de servicio           | ■ Fora de serviço                         |
| ▲ Konstruktionsgewicht ohne transportachse | ▲ Peso de la grua sin tren de transporte | ▲ Peso de la grua sem carro de transporte |
| ○ Ballastgewicht                           | ○ Peso de lastre                         | ○ Peso de lastre rotativo                 |

Montaggio – Montage – Erection – Montage – Montaje



Trasporto – Transport – Transport – Transport – Transporte



P1	kg	5620
P2	kg	9300
Ptot	kg	14920

Meccanismi – Mechanisms – Mécanismes – Antriebe – Mecanismos – Montagem

TRIPHASE	Sollevamento Hoisting Levage Heben Elevaciòn Elevaçao			1a	4 m/min	2000 kg	4.4 kW
				2a	16 m/min	2000 kg	
				3a	32 m/min	1000 kg	
	Carrello Trolleying Distribution Katzfahren Distribuciòn Distribuiçao			1a	30 m/min	600 kg	1.5 kW
				1a	15 m/min	2000 kg	
		2a	30 m/min	1000 kg			
Rotazione Slewing Orientatiòn Schwenken Orientaciòn Rotaçao			giri/min 0.8 tr/min rp/min			2.2 kW	
1/3PH Inverter	Sollevamento Hoisting Levage Heben Elevaciòn Elevaçao	230V		1a	4 m/min	1500 kg	5.5 kW
				2a	11 m/min	1500 kg	
				3a	25 m/min	700 kg	
				1a	4 m/min	1500 kg	
				2a	16 m/min	1500 kg	
				3a	30 m/min	700 kg	
		400V		1a	4 m/min	1500 kg	
				2a	11 m/min	1500 kg	
				3a	30 m/min	700 kg	
				1a	4 m/min	1500 kg	
				2a	16 m/min	1500 kg	
				3a	30 m/min	700 kg	
	Carrello Trolleying Distribution Katzfahren Distribuciòn Distribuiçao			1a	30 m/min	500 kg	1.85 kW
				1a	15 m/min	1500 kg	
				2a	30 m/min	700 kg	
	Rotazione Slewing Orientatiòn Schwenken Orientaciòn Rotaçao			giri/min 0.8 tr/min rp/min			2.2 kW

Rete elettrica – Réseau – Mains supply – Netzstrom – Red – Rede electrica	400V – 50 Hz
---	--------------

Potenza elettrica necessaria – Puissance électrique nécessaire Necessary electric power – Anschlusswert – Potencia electrica necesaria	3PH 12 kVA 1/3PH 11 kVA
---	----------------------------

	DIN 15018 2000/14/CE	
--	-------------------------	--



Documento commerciale non contrattuale  
Per tutte le informazioni tecniche riferirsi  
alle corrispondenti istruzioni

Unverbindliches Vertriebsdokument.  
Für technische Informationen, siehe die  
entsprechenden Anweisungen.

This commercial document is not legally  
binding. For any technical information, please  
refer to the corresponding instructions.

Documento comercial no contractual  
Para cualquier información técnica,  
ver la noticia correspondiente.

Code: 15ICA37B40A0			
Ed.	Data	Rev	Data
1	05.06.03	0	05.06.03